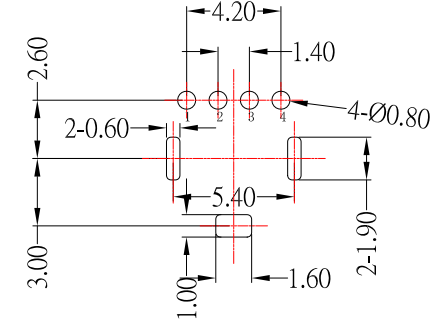




SUA-110P13Cx-x-S236

SHELL :	鍍層厚度 :
Blank : BRASS	Blank : 1u"
I : SPCC	2 : 15u"
	3 : 30u"



PCB LAYOUT
TOP VIEW

SPECIFICATIONS

Electrical:

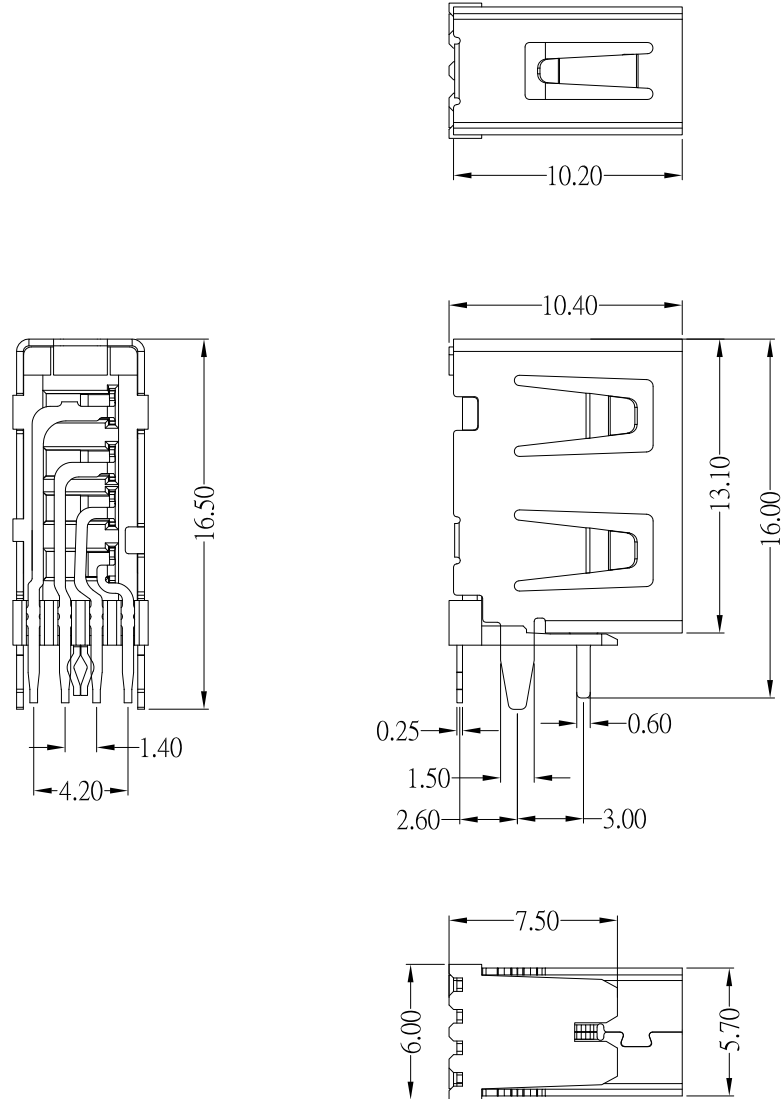
1. Rated Current: 2.0 A Max
2. Dielectric Withstanding Voltage: AC 500 V / 1MIN
3. Insulation Resistance: 1,000 MΩ Min
4. Contact Resistance: 30 mΩ Max

Material:

1. Housing: PBT
2. Contact: Phosphor Bronze
3. Shell: Brass / Spcc

Finish:

1. Contact: Plated Gold in Mating Area ;
Tin Plated on Solder Balls ;
Nickel under plated overall
2. Shell: Nickel under Plated surface layer



TOLERANCE UNLESS OTHERWISE STATED :
 Up to 5 ±0.2
 Above 5 ~ 15 ±0.3
 Above 15 ~ 30 ±0.4
 Above 30 ~ 50 ±0.5
 Angle ±0.3

3RD. ANGEL'S



UNITS

MM

DRAWN BY:	DATE	MAT'L	TITLE	CONNECTOR
Jack Lu	09/30/24			
CHECKED BY:	DATE	FINISH	MODLE	USB AF 側插短體無捲邊 L=10.40mm
Jacky Chen	09/30/24			
APPROVED BY:	DATE	SCALE	DWG NO.	SUA-110P13Cx-x-S236
Tony Kao	09/30/24	1 : 1		
		SHEET NO.	PART NO.	SUA-110P13Cx-x-S236
		1 of 1		

1	新增PIN編號	Jack	093024
ITEM NO.	DESCRIPTION	DRAWN	DATE